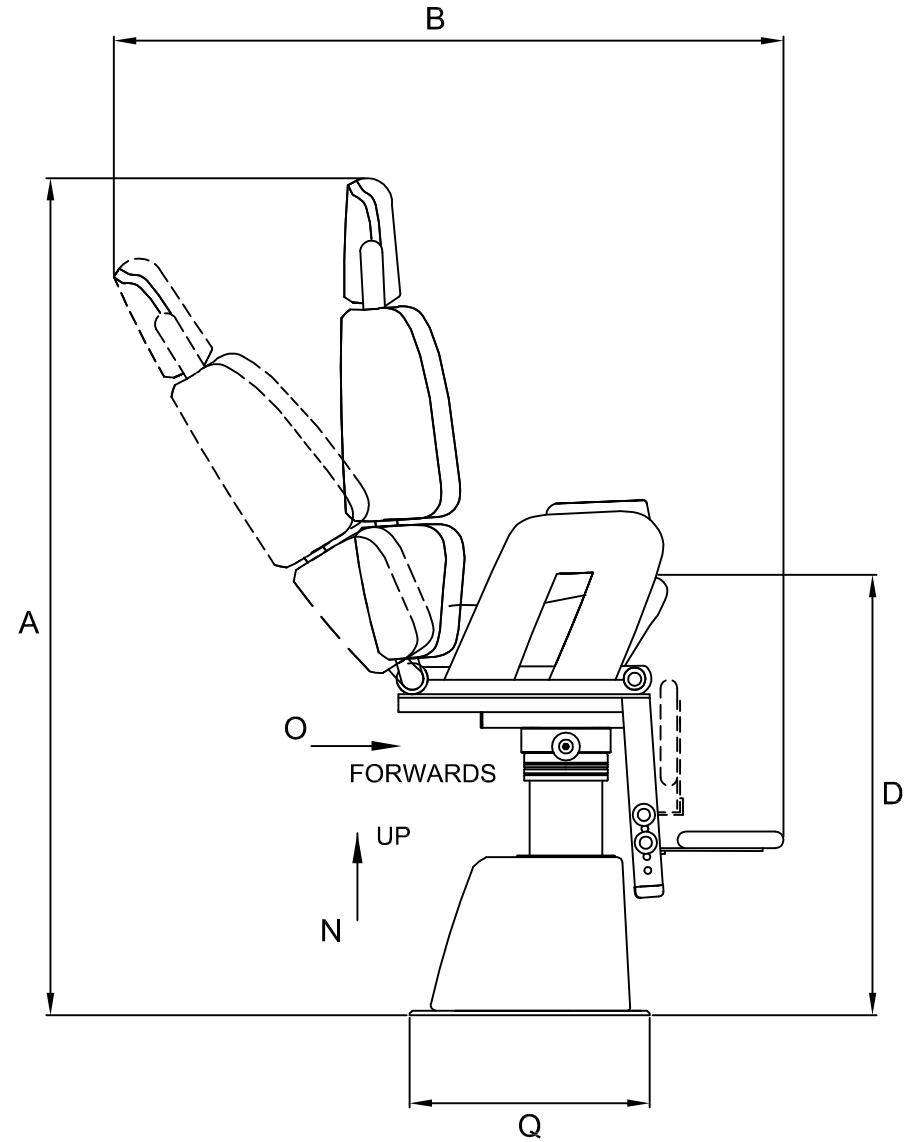
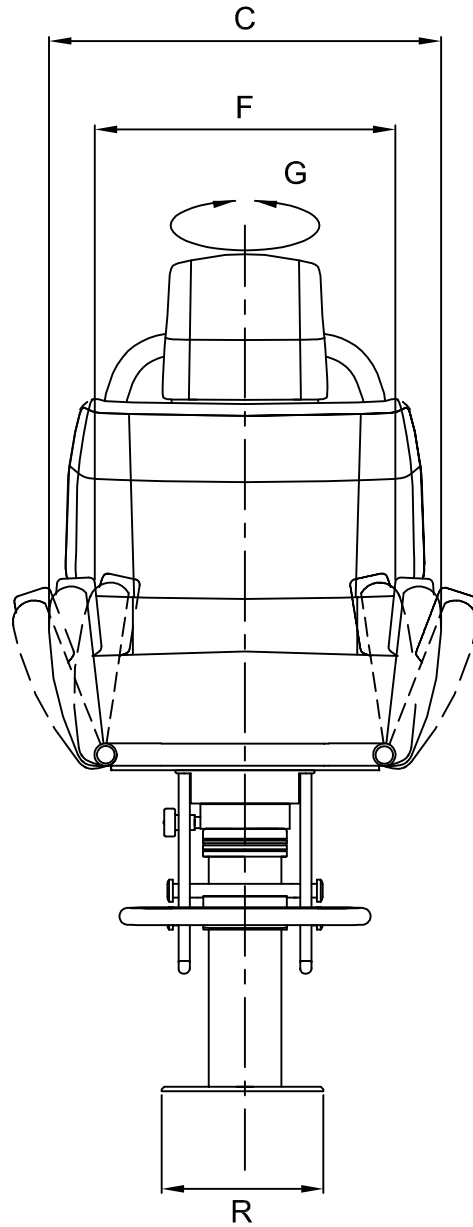


A (mm)	1500
B (mm)	≈ 1200
C (mm)	≈ 700
D (mm)	≈ 790
F (mm)	380-710
G (°)	90+90
N (mm)	250
O (mm)	180
Q (mm)	430
R (mm)	290
Weight (Kg)	100



The padding could vary the sizes of few centimeters



Product

**P 222 SIRIO**

**Automatic Helm Seat**